

John Deere 317G

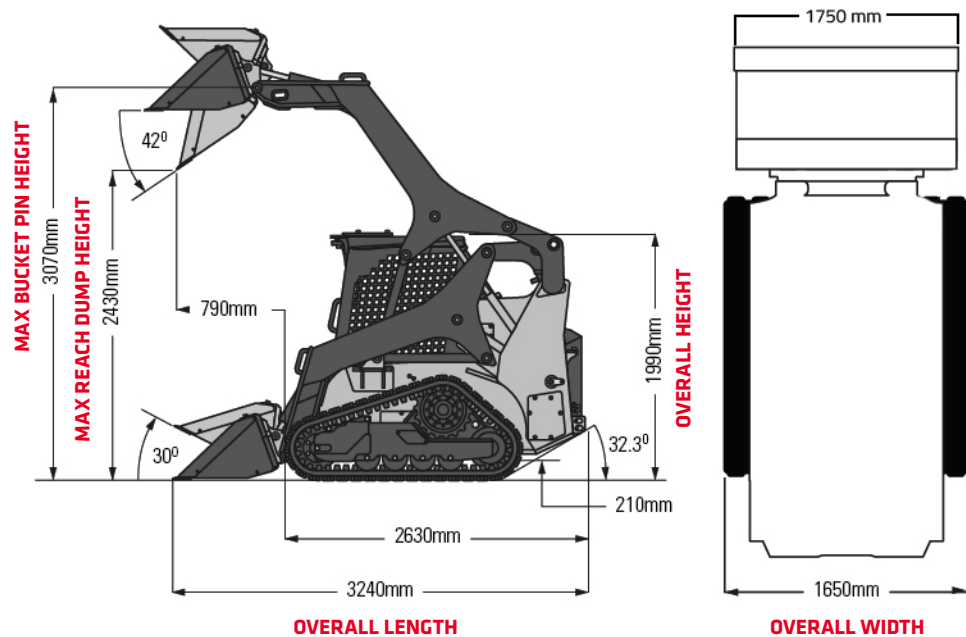
The John Deere 317G track loader features a vertical-lift boom that precisely places pallets and carries big loads.

KEY FEATURES

- Vertical lift boom
- Final Tier 4 (FT4)/EU Stage IV diesel engine packs plenty of power and torque
- Work in soft underfoot conditions and side-slope stability
- Excellent all-around visibility
- Swing-out rear door enables easy, ground-level access



- 8 ^{LT^x} / HR
- 3,824 KG
- 965kg SWL
- Tilt Tray



x - Approximate fuel consumption