

Hitachi ZX65USB-5A

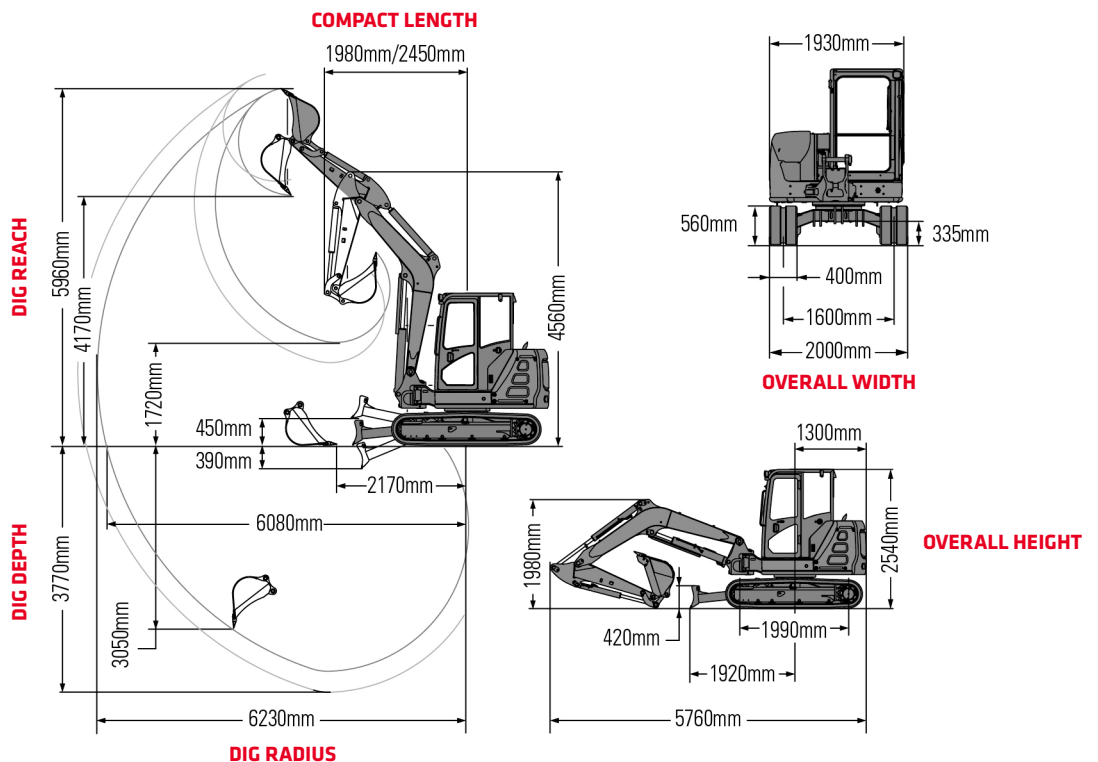
The Hitachi 6.5 tonne midi excavator is the largest machine in the midi range and offers a short-tail swing radius with excellent controllability, comfort and fuel consumption.

KEY FEATURES

- Short-tail end swing
- Excellent controllability
- Auto idling system
- Dual hydraulic piping for attachment
- Available with height and slew restrictions
- Rail corridor ready



- 5 ^{LT^x} / HR
- 6,600 KG
- 630kg ^{SWL}
- Tilt Tray**



x - Approximate fuel consumption