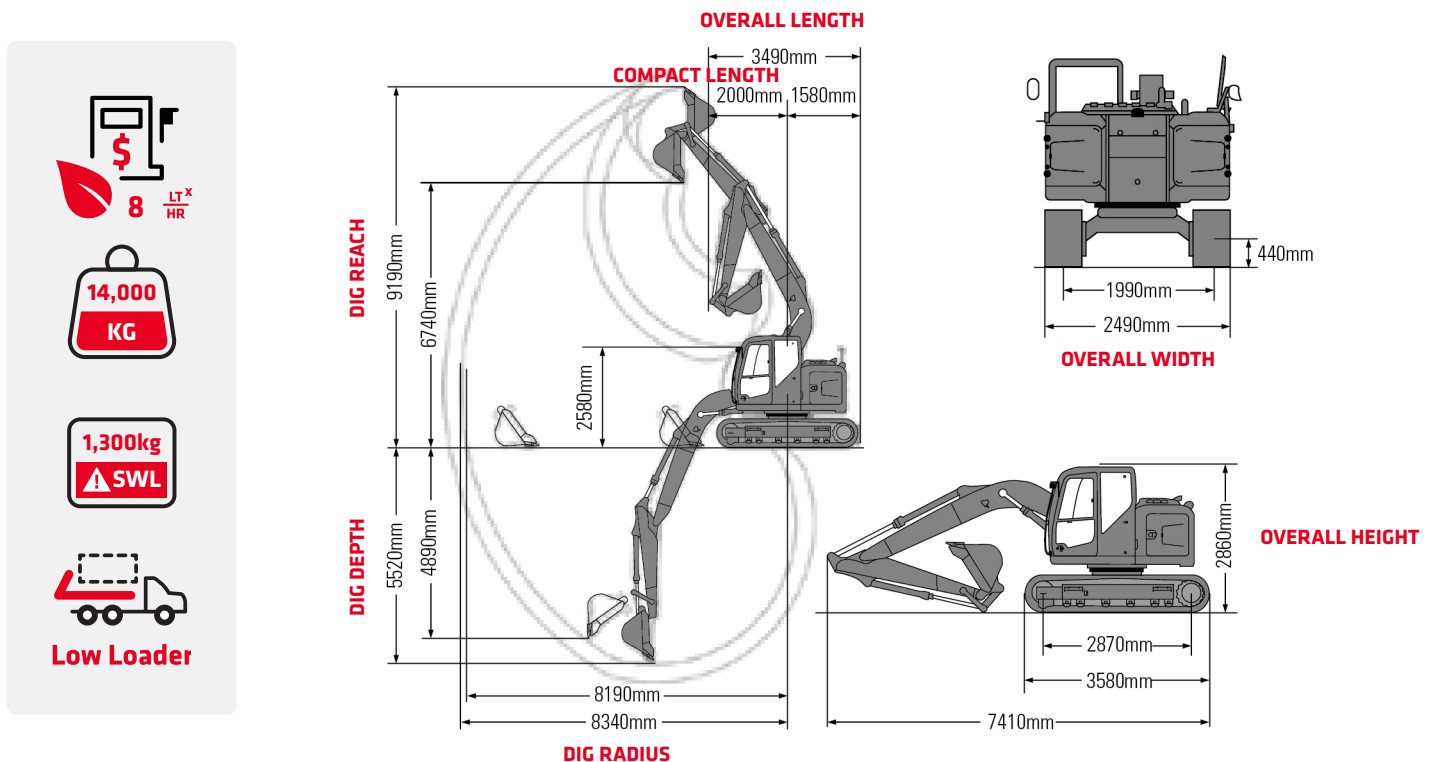


# Kobelco SK135SR-5 (MONO BOOM)

The Kobelco 13.5 tonne large excavator offers a short-tail swing radius and is fitted with a final tier 4 compliant engine for improved environmental protection and low fuel consumption.

## KEY FEATURES

- Dozer blade
- Hydraulic boosting system
- Lower fuel consumption and noise levels
- LCD operator monitor
- Available with rubber pads
- Available with 3D GPS on request



- 8 <sup>LT</sup>/<sub>HR</sub> x
- 14,000 KG
- 1,300kg SWL
- Low Loader

x - Approximate fuel consumption